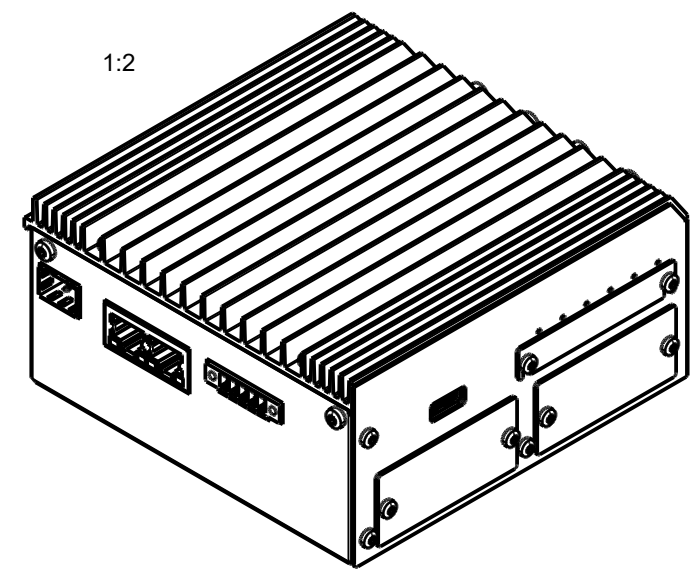
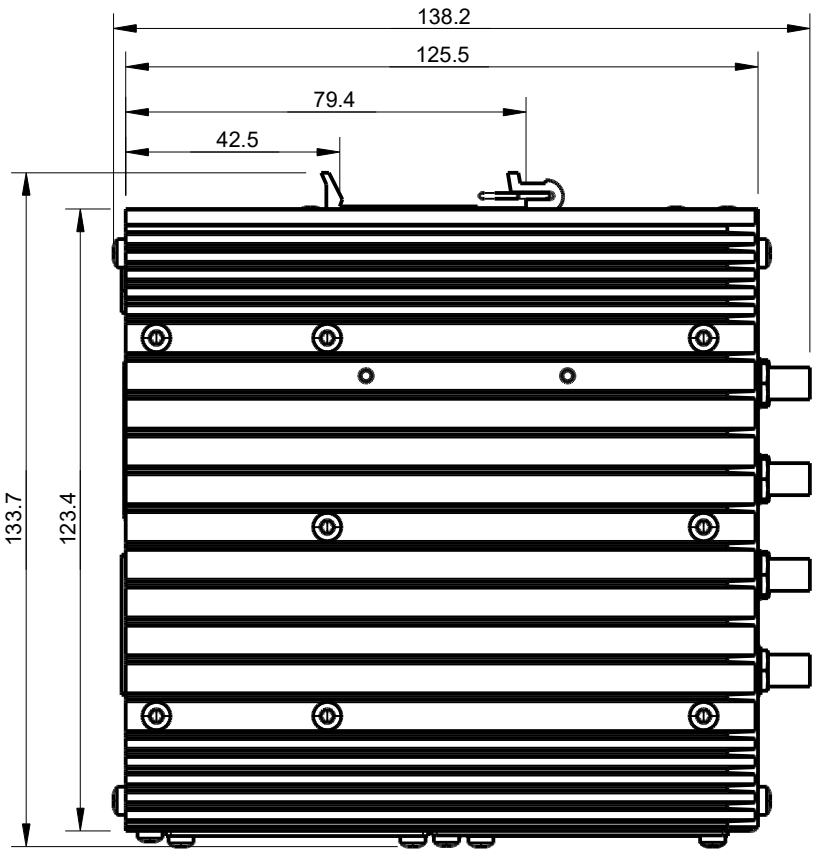
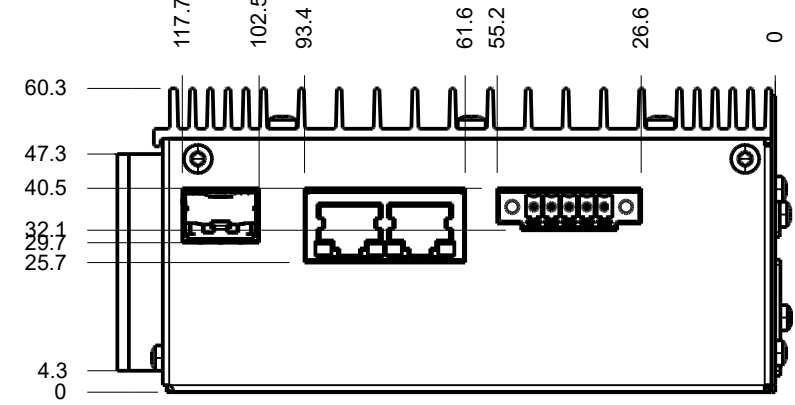
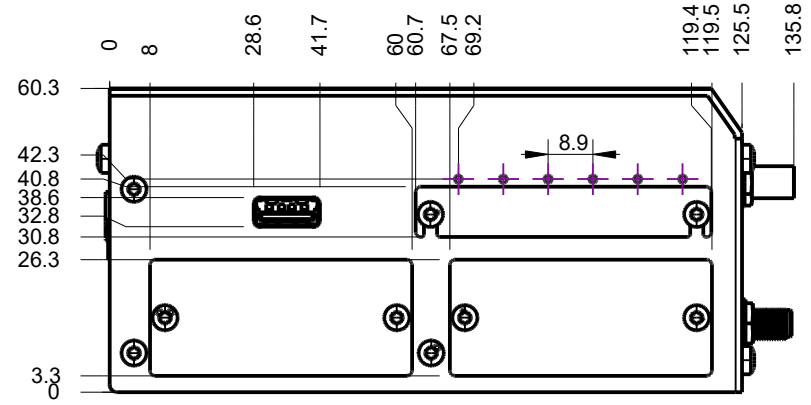
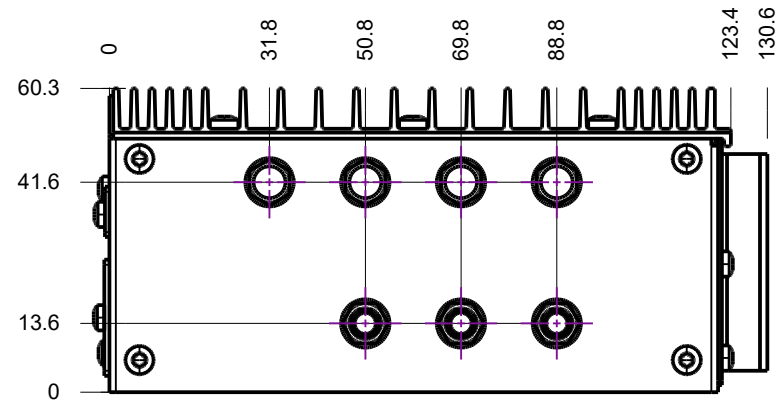


A
B
C
D
E
F

A
B
C
D
E
F



Itemref	Quantity	Title/Name, designation, material, dimension etc			Article No./Reference
Drawn by rr	Checked by ao	Approved by - date rr - 16.01.2019	File name	Date 16.01.2019	Scale 1:1.5
NRHW 18		NB1800			
Drawing No.		Format A3	Edition 1.1	Sheet 1/1	