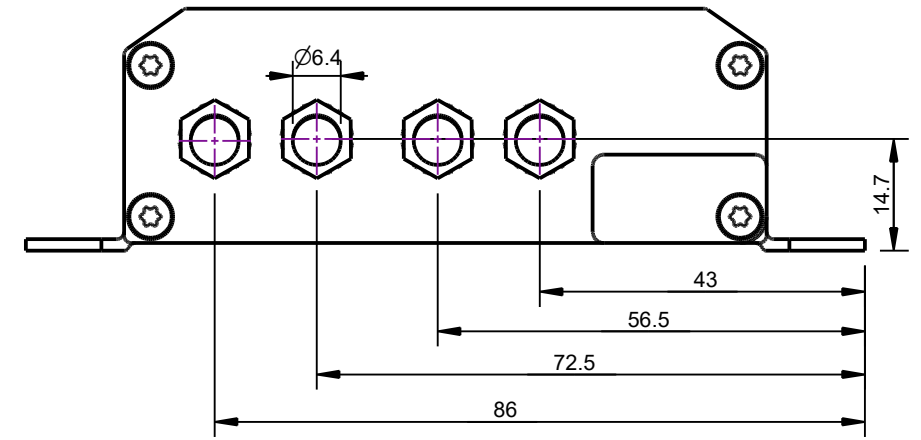
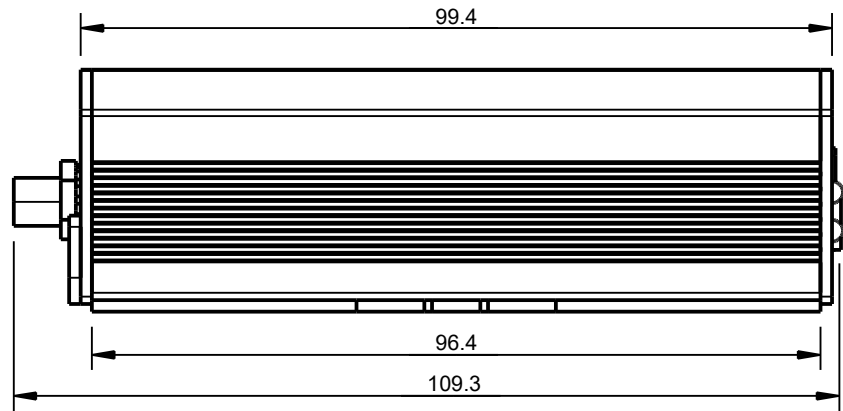
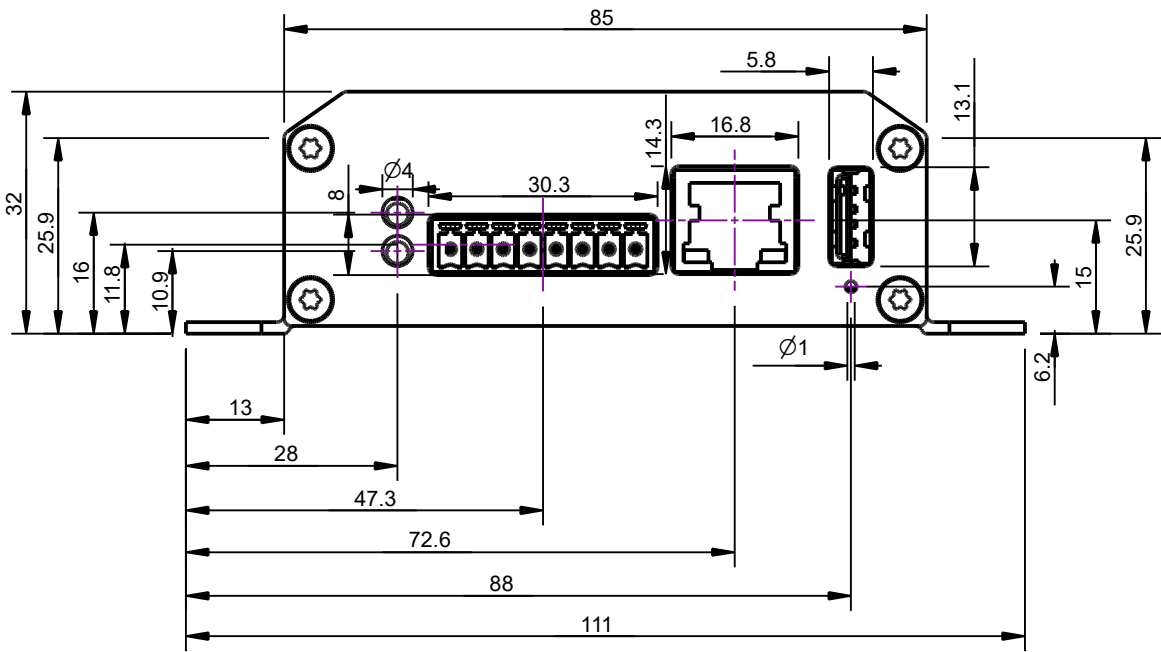


A



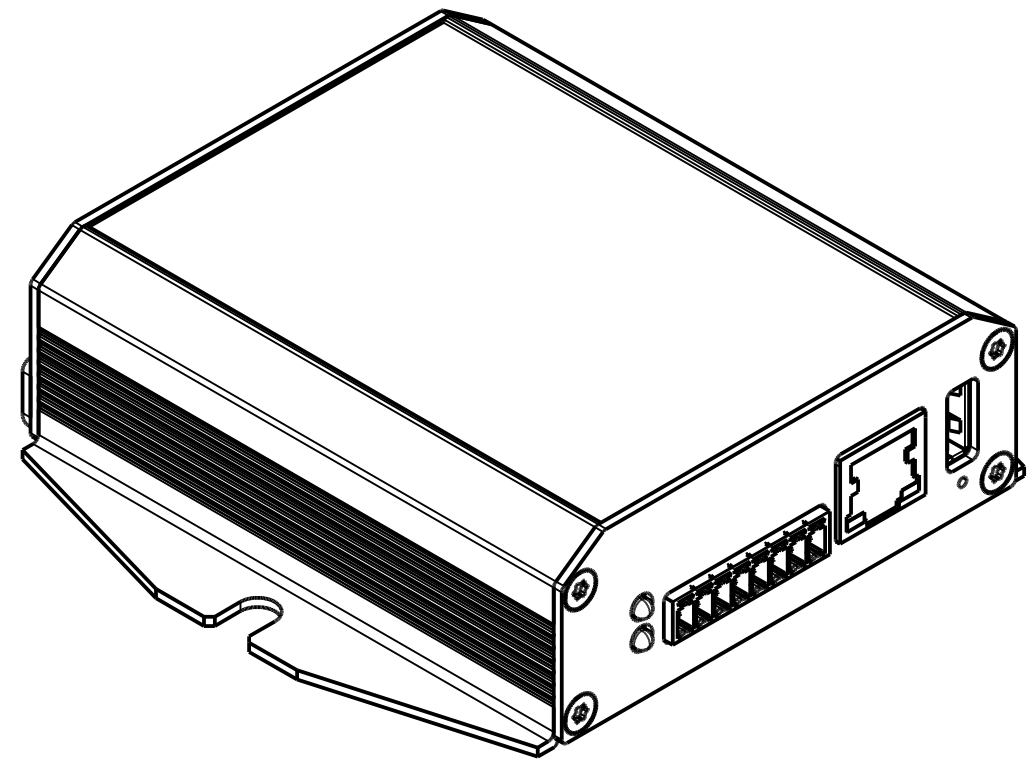
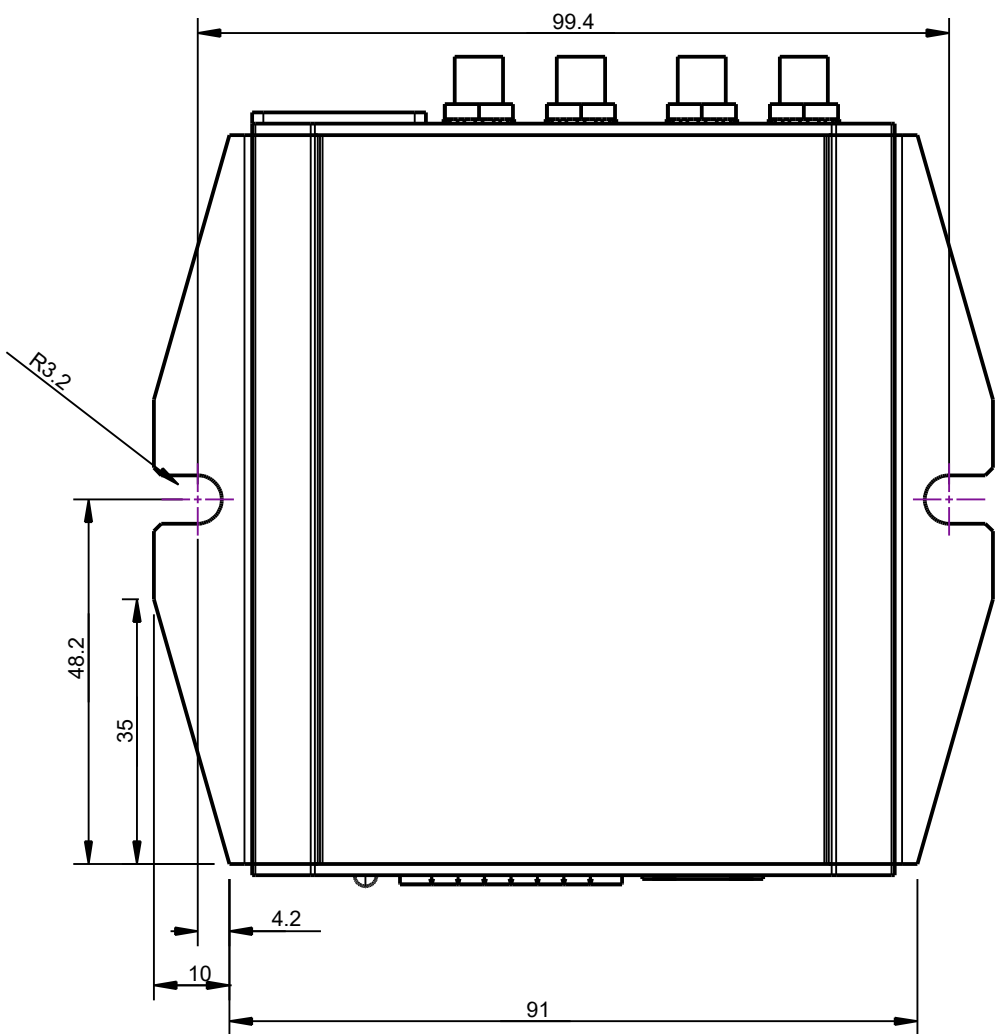
A

B

B

C

C



D

D

E

E

F

F

Itemref	Quantity	Title/Name, designation, material, dimension etc			Article No./Reference
Drawn by rr	Checked by jla	Approved by - date 2019-08-08	File name	Date 2019-08-08	Scale 1:1
NBHW 16			<b>NB800-LWWtSu with/without shield</b>		
Drawing No. NB800_LWWtSu_V1.1			Format A3	Edition V1_1	Sheet 1/1